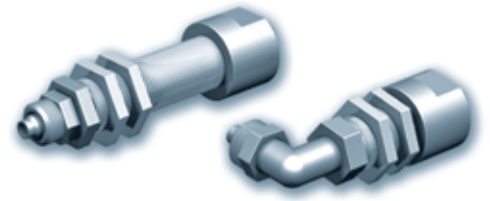
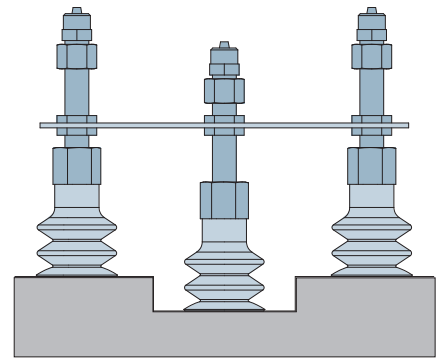




Mounting Extensions



The L series extensions are used for gripping on various levels using the same installation plate. These extensions are adjustable to different heights. This system is especially useful for 2.5 bellows type suction cups, as height adjustment is made easier by the deflection of the suction cup. Spring systems should be chosen, instead, for flat suction cups with low deflection.



Materials

Threaded rod and nut Brass
Screwed vacuum fitting Nickel-plated brass

Characteristics

Models	A ⁽¹⁾			B	C	h		Ød	ØL	D	P
G1/8"-M	22	42	52	25	19	3	14	6	G1/8"-M	-	-
G1/4"-M	19	49	69	29	24	4	19	9	G1/4"-M	-	-
G3/8"-F	19	49	69	20.5	19.5	4	23	-	G3/8"-F	19	22
G3/8"-M	19	49	69	20.5	19.5	4	23	10	G3/8"-M	-	-

(1) Other lengths available on request for a minimum quantity of 10 pieces.

G1/4"-M - G1/8"-M

Straight

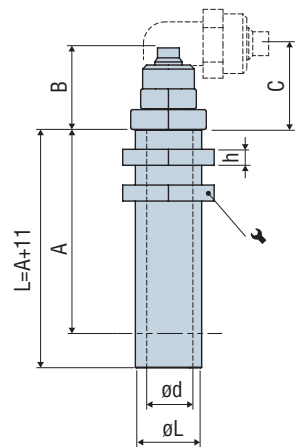
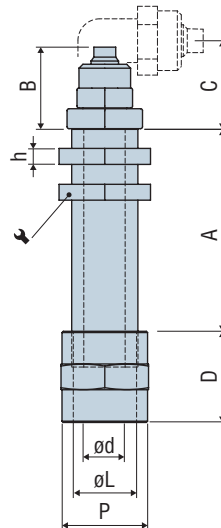
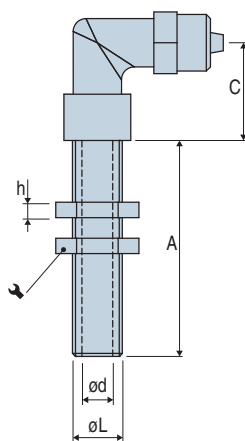
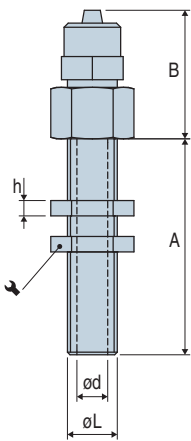
Elbow

G3/8"-F

Straight or elbow 6x8 or 8x10

G3/8"-M

Straight or elbow 6x8 or 8x10



Please specify the part:
Model + Thread + Adjustable stroke + Fitting + Suction cup fitting
 e.g.: L1449C68F

1: Model	2: Thread	3: Adjustable stroke	4: Fittings	5: Suction cup fitting G3/8" version
L	18 G1/8"	22 - 42 - 52	G1/8"	D46 Straight 4 x 6
	14 G1/4"		G1/4"	D68 Straight 6 x 8
	38 G3/8"	19 - 49 - 69	G3/8"	C46 Elbow 4 x 6
				C68 Elbow 6 x 8
				N Without fitting
			D810 Straight 8 x 10	
			C810 Elbow 8 x 10	

Note: All dimensions are in mm

G3/8" extensions are compatible with C Series high performance suction pads (see page 2/59) and CTC Series (see page 2/63).